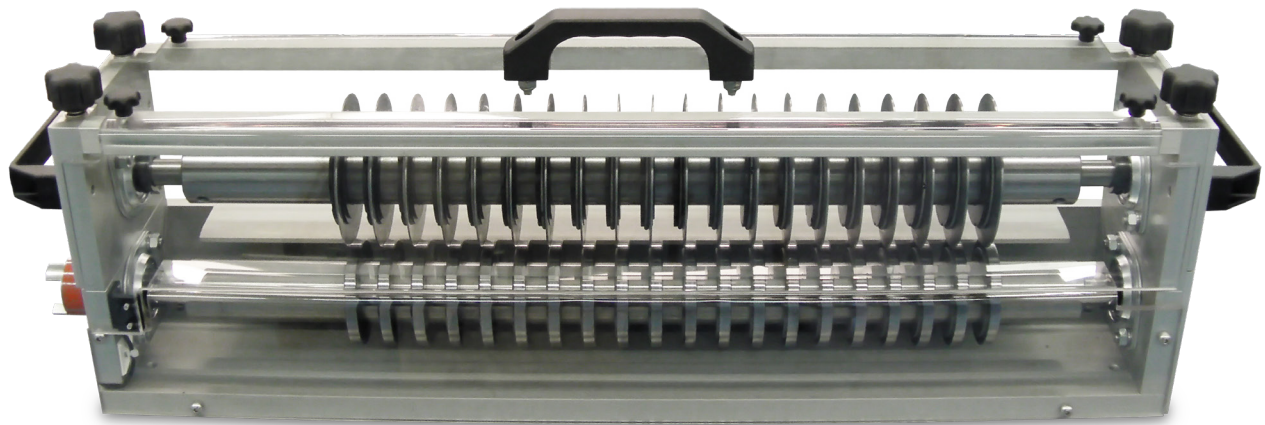


# ACU-SLIT™ SLITTER MODULE

MODEL: SLS SHEAR



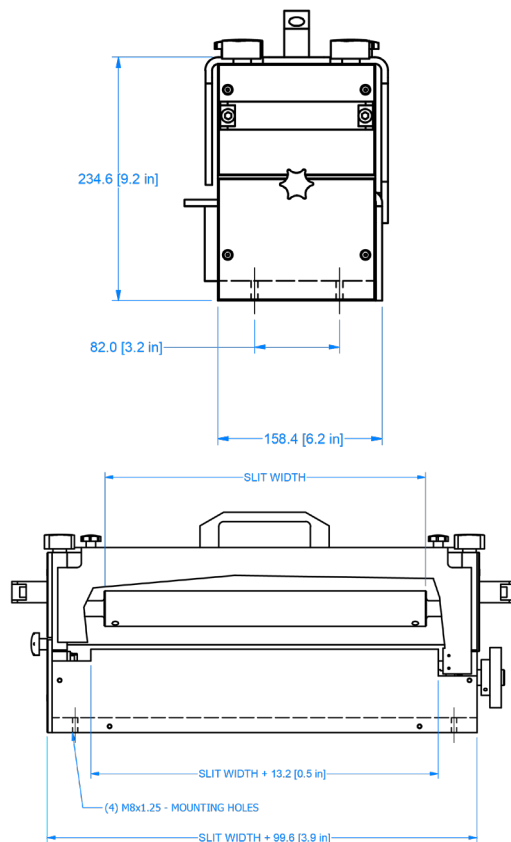
# ACU-SLIT™ SLITTER MODULE

## SLS SHEAR TECHNICAL SPECIFICATION

Solid Models Available Online

This modular unit is designed to be bolted onto new or existing equipment. Easy to use, all units come with mounting holes. Precision ground top and bottom shafts are used to hold the shear cut tooling. An eccentric locking system is used to attach the shear cut blades to the shaft. Turning the tooling 90 degrees lets the user adjust the slitters anywhere along the shaft. High load precision bearings are used to support the shafting.

A shear cut slitter provides clean, precise cuts on flexible materials. It also provides long blade life. High quality tool steel is used, although alternative options are available depending on the application. This unit is supplied with an output shaft which can be driven by your existing equipment or one of our motor packages.



### WARNING:

EQUIPMENT MUST BE GUARDED IN ACCORDANCE WITH ALL FEDERAL, STATE, AND LOCAL REQUIREMENTS.

## BENEFITS

- Modular design including mounting holes for easy installation
- Eccentric locking system for quick blade adjustments for different width cuts
- Clean cuts
- Long blade life
- Quick disconnect from common manifold
- High load precision bearings for long life

## MATERIALS

Film | Foil | Hook and Loop | Laminates | Nonwovens | Pads | Paper | Plastics | Test Strips

## SPECIFICATIONS

- Minimum width = 25.4mm [1"]
- 80 psi (5.5 bar) compressed air
- Rotary shear blades include a top dish knife and a lower anvil blade with the eccentric locking collars
- Slitter blades can easily be adjusted across width of unit
- Unit supplied with an output shaft, which can be driven
- Unit will have a clear anodized finish on all aluminum components

## OPTIONS

- Narrow slit widths down to 1.5mm [0.06"]
- Motor drive packages
- Guarding package
- Pneumatic shear cut holders
- Blade lubrication system
- Setup blocks
- Roll feed systems
- Cut-off assemblies for cross web cutting
- Infeed guides
- Stainless steel models available for food or wash down requirements