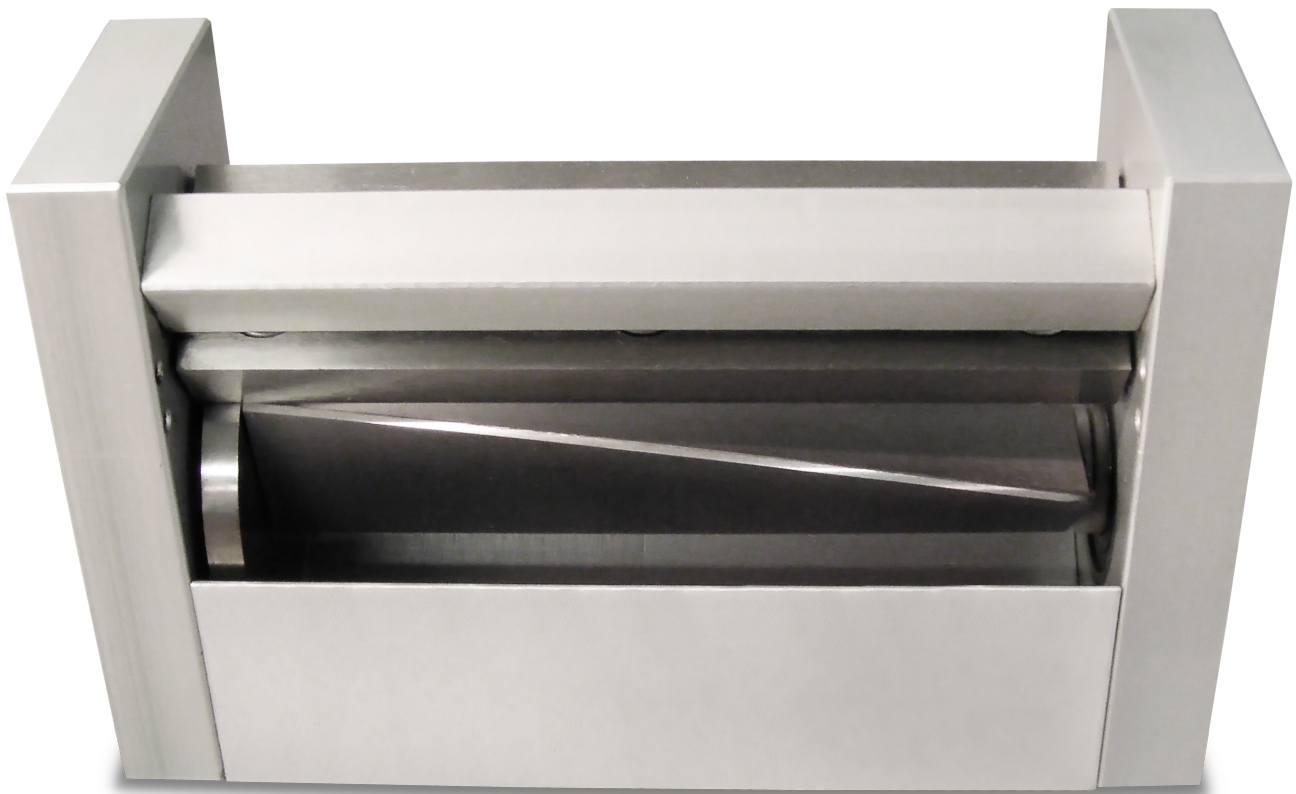


ROTARY KNIFE ASSEMBLY

MODEL: MC-110 MINICUT

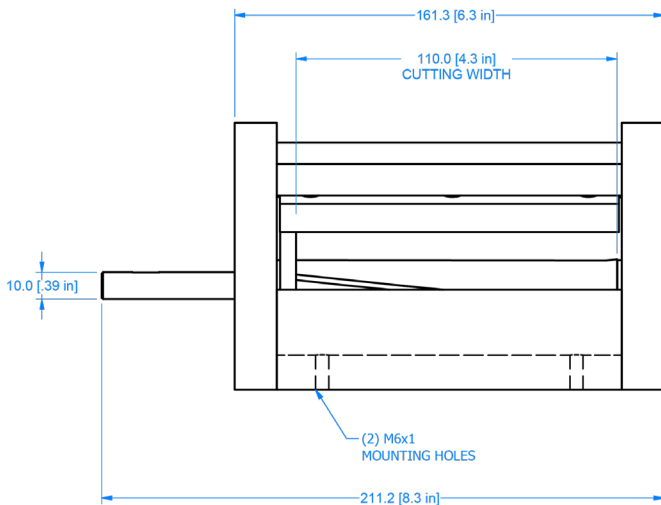
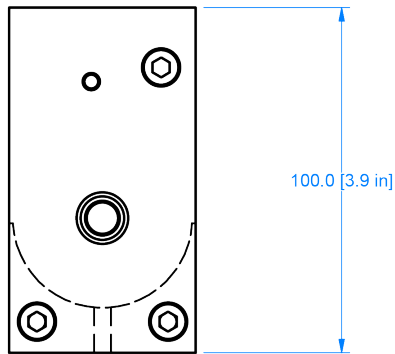


ROTARY KNIFE ASSEMBLY

MC-110 MINICUT TECHNICAL SPECIFICATION

Solid Models Available Online

Our compact rotary knife cartridge is reliable and easy to install. It features an extended shaft for a gear, pulley, or direct motor drive. This smaller, shear-cut unit offers clean, precise cuts on film, foil, paper, nonwovens and most flexible materials. With its modular construction, it can be easily incorporated into new machines or inserted into an existing process. Mounting holes are provided so you can bolt it on wherever you need it. The output shaft is provided to be driven or we could install a drive package for you. We can also customize our standard designs to meet your requirements.



BENEFITS

- Self-setting blade height
- Good for thin materials
- Two cutting blades per revolution
- Mounting holes supplied

MATERIALS

Absorbent Pads | Felt | Film | Thin Foam | Foil | Gaskets | Laminates | Mesh | Metalized Film | Nonwovens | Pads | Paper | Personal Care Products | PTFE | Rubber | Shrink Tubing

SPECIFICATIONS

- The rotary cutting blade cuts against a solid hardened anvil, creating a shearing action
- Hardened D2 tool steel blades
- Precision roller bearings, designed to take high load forces
- Aluminum side frame plates
- The unit will be supplied with an output shaft
- Mounting holes for easy installation
- Clear anodized finish on all aluminum components

OPTIONS

- Drive packages
- Crush-cut modules available
- Add a roll for a complete cut-to-length assembly
- Add a slitting station
- Special designs for unique requirements



WARNING:

EQUIPMENT MUST BE GUARDED IN ACCORDANCE WITH ALL FEDERAL, STATE, AND LOCAL REQUIREMENTS.



CUSTOM FEEDING & CUTTING SOLUTIONS

26 Just Road, Fairfield, NJ 07004 | 973-439-1428 | azcocorp.com

