

SUR-SIZE™ SHEETER

FGW SERIES



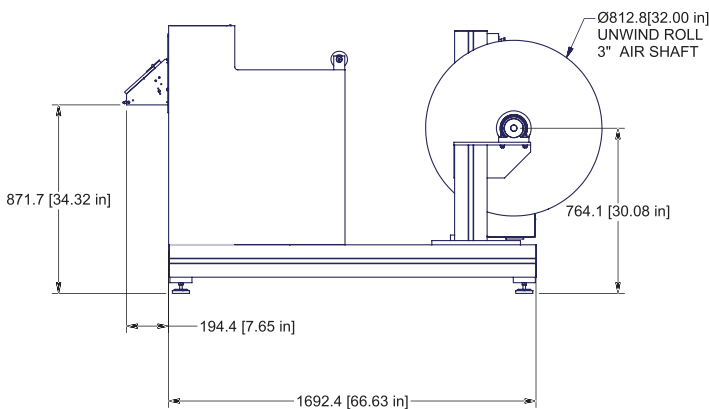
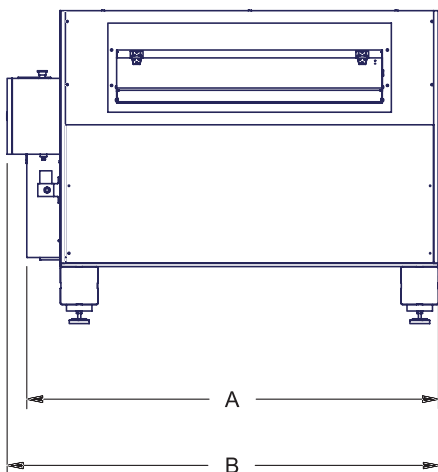
SUR-SIZE™ SHEETER

FGW-1000, FGW-1650 TECHNICAL SPECIFICATION

Videos Available Online

This sheeter is built to last, providing exceptional durability with remarkable accuracy. Simple to use, place your roll onto the air shaft, which is supported by safety chucks for quick roll changes. A motorized unwind with a dancer assembly provides constant web tension as the material goes over the ball-bearing idler rollers. Precision ground urethane rollers are turned by a brushless servo motor, allowing for clean cut lengths while keeping maintenance low. Your material is accurately cut with our easy-to-replace guillotine knife cartridge.

An operator can enter all settings on an easy-to-use color touchscreen. The PLC that controls the unit has a USB port which we can access through the internet to provide assistance from anywhere in the world. Support is also just a phone call away. A webcam is included with the unit to further enhance your remote training or technical sessions.



MATERIALS

- Films
- Foils
- Paper
- Non-wovens
- Corrugated
- Rubber Products

SPECIFICATIONS

- 1000 mm/39" cut width (FGW-1000)
- 1650 mm/39" cut width (FGW-1650)
- Servo motor drive system produces clean cut lengths
- Color touchscreen for easy operator setup
- Precision ground urethane drive rollers
- Rugged clear anodized frame with stainless covers
- 76 mm/3" air shaft
- Safety chucks
- Motorized unwind with operator console
- Long-life tool steel guillotine blades
- Accuracy: +/- 0.4 mm/0.015" or +/- 0.085% (whichever is larger)
- Rate: adjustable from color touchscreen
- Power requirements: 110 V AC or 220 V AC
- 30 - 90 psi (2 - 6 bar) compressed air
- CE rated

OPTIONS

- Eye registration
- Edge guide system
- Slitter station
- Take-away conveyor
- Stacker
- Accumulator
- Dual unwind/rewind
- No-product sensors
- Static eliminator
- Dual drive
- Coated surfaces to reduce adhesive build-up
- SmartKnife™ technology - high speed cutting rates

MODEL	UNIT	A	B
FGW-1000	mm	1000	Overall Width (size + standard constant)
	in	39"	
FGW-1650	mm	1650	
	in	65"	



WARNING:

EQUIPMENT MUST BE GUARDED IN ACCORDANCE WITH ALL FEDERAL, STATE, AND LOCAL REQUIREMENTS



FOR ALL YOUR FEEDING AND CUTTING NEEDS

26 Just Road, Fairfield, NJ, 07004 | 973-439-1428 | azcocorp.com



visit us online!

