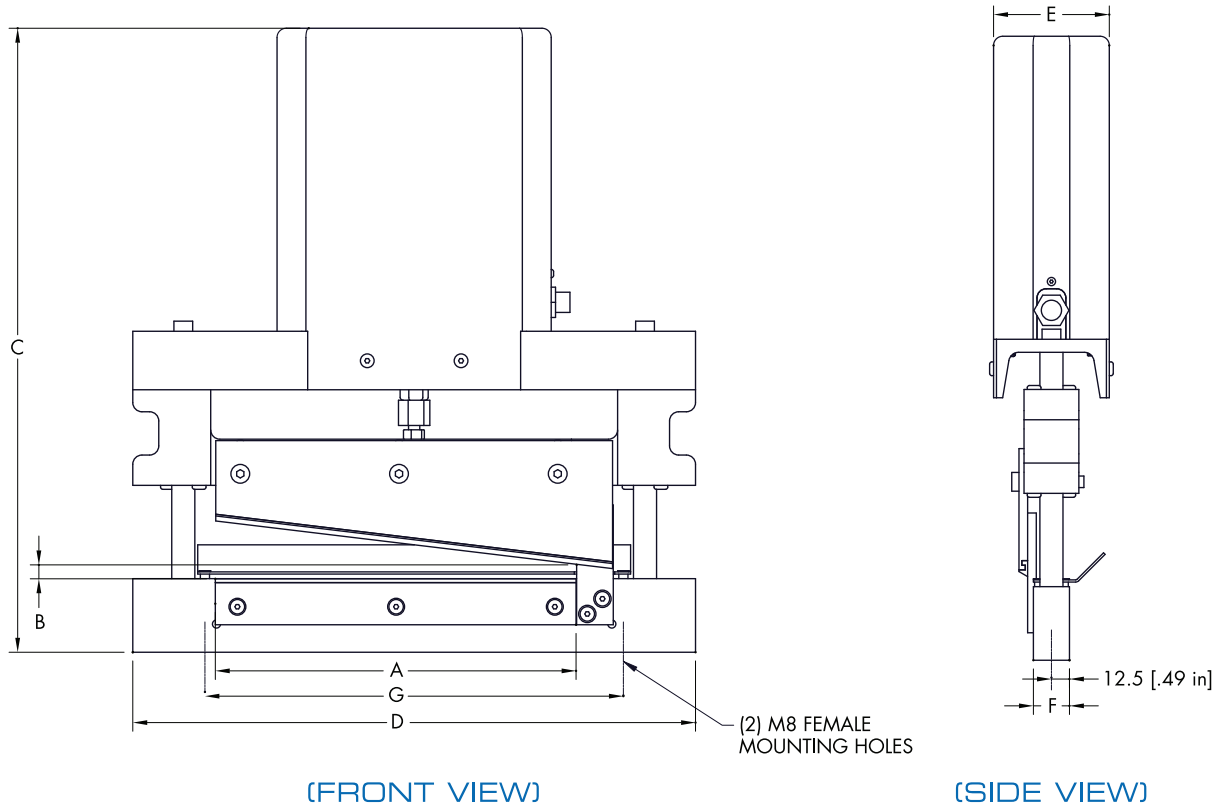


AZCO SKC SERIES SMARTKNIFE™

TECHNICAL SPECIFICATION

AN EASY TO INTEGRATE SELF-CONTAINED CUTTING PACKAGE

AZCO Corp.'s **SMART KNIFE™** bridges the gap between the traditional guillotine knife and rotary knife. Equipped with a microprocessor and complete control package it achieves the high speed of a rotary knife at a fraction of the cost. Its compact size offers greater placement flexibility which produces up to 400 cuts per minute. **Just Bolt-It-On.**



(FRONT VIEW)

(SIDE VIEW)

MODEL	UNITS	A	B	C	D	E	F	G	CUTS/MIN
SKC250	mm	250	12.7	433	390	81	25	290	400
	in	9.84	0.5	17.0	15.35	3.19	.98	11.42	
SKC400	mm	400	12.7	433	540	81	25	440	300
	in	15.74	0.5	17.0	21.25	3.19	.98	17.32	
SKC630	mm	630	12.7	433	770	81	25	670	250
	in	24.80	0.5	17.0	30.3	3.19	.98	26.38	

FEATURES

- Pneumatically Operated
- Self Contained Air Cylinder/Manifold/Solenoid Package
- Micro-processor monitors system
- Advanced Dura-Blade Design
- Upgraded hardware for long life
- 90 PSI Air Pressure

BENEFITS

- High Cycle Rate
- Quiet Operation
- Simple Installation - Just plug in air 24VDC and supply a signal
- Clean cuts
- Long Blade Life
- Low Maintenance